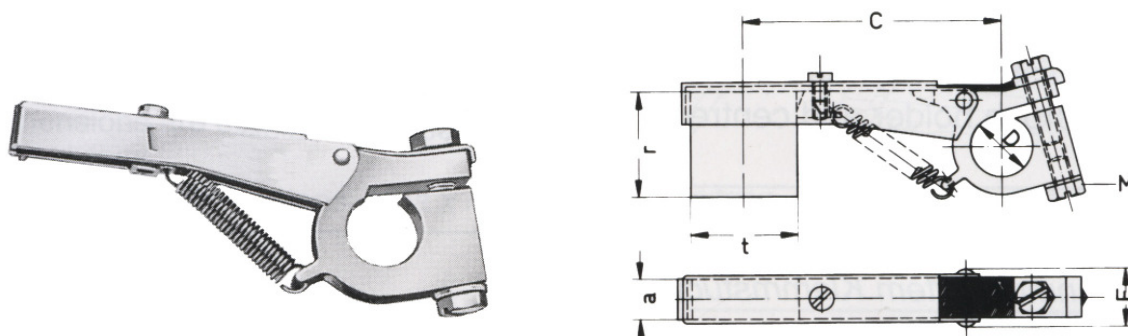


## Single-leg slipping brush-holders

Brush holder arms are brass, clamping pieces are extruded brass.  
 For peripheral speeds up to 15 m/s.



Order No.	Brush dimensions			C	Bore		Width E	Terminal M
	t	a	r		D	up to		
84 D 30-7	8	4	16	30	7	8	7,5	M3
85 D 30-7	8	5	16	30	7	8	8,5	M3
105 D 38-7	10	5	16	38	7	8	8,5	M3
126 D 36-10	12	6,3	20	36	10	13	10,5	M4
128 D 40-10	12	8	25	40	10	13	12	M4
168 D 44-10	16	8	25	44	10	13	12	M4
168 D 50-13	16	8	25	50	13	16	12	M4
208 D 50-13	20	8	25	50	13	16	12	M4
208 D 60-13	20	8	25	60	13	16	12	M4
2010 D 60-13	20	10	25	60	13	16	14	M5
2510 D 70-16	25	10	32	70	16	20	15	M5
2512 D 70-16	25	12,5	32	70	16	20	17,5	M6
3212 D 80-16	32	12,5	32	80	16	20	17,5	M6
3216 D 100-16	32	16	32	100	16	20	22	M6

Should you need a different type of brush-holder please indicate the following data:

Brush dimensions in mm: (txaxr) \_\_\_\_\_

Dimension C in mm: \_\_\_\_\_

Bore D in mm: \_\_\_\_\_

Width E in mm: \_\_\_\_\_

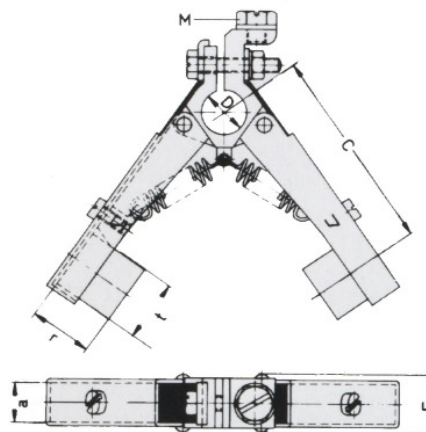
All dimensions are given in mm

## Double-leg slipping brush-holders

Brush holder arms are brass, clamping pieces are extruded brass.  
 For peripheral speeds up to 15 m/s.



Style 1



Style 2

Order No.	Brush dimensions			C	Bore		Width E	Terminal M	Style
	t	a	r		D	up to			
84 DD 32-10	8	4	16	32	10	-	8	M4	1
85 DD 30-7	8	5	16	30	7	8	8,5	M3	1
105 DD 29-10	10	5	16	29	10	-	8,5	M4	1
105 DD 38-10	10	5	16	38	10	-	8,5	M4	1
106 DD 42-10	10	6,3	16	42	10	-	11	M4	1
126 DD 40-10	12,5	6,3	20	40	10	-	11	M4	1
166 DD 42-10	12,5	6,3	20	42	10	-	11	M4	1
128 DD 40-10	12,5	8	25	40	10	13	12	M5	1
168 DD 44-10	16	8	25	44	10	13	12	M5	1
168 DD 50-13	16	8	25	50	13	16	12	M5	1
168 DD 60-13	16	8	25	60	13	16	12	M5	1
208 DD 50-13	20	8	25	50	13	16	12	M5	1
208 DD 60-13	20	8	25	60	13	16	12	M5	1
258 DD 60-12	25	8	25	60	12	15	12	M5	2
2010 DD 50-13	20	10	25	50	13	16	14,5	M5	1
2010 DD 60-13	20	10	25	60	13	16	14,5	M5	1
2510 DD 70-16	25	10	32	70	16	20	15,5	M6	2
2512 DD 70-16	25	12,5	32	70	16	20	16	M6	2
3212 DD 80-16	32	12,5	32	80	16	20	17	M6	2
3216 DD 90-16	32	16	32	90	16	20	22	M8	2
3216 DD 110-20	32	16	32	110	20	25	22	M10	2
4016 DD 120-20	40	16	40	120	20	25	22	M10	2
4020 DD 130-20	40	20	40	130	20	25	26	M10	2

Should you need a different type of brush-holder please indicate the following data:

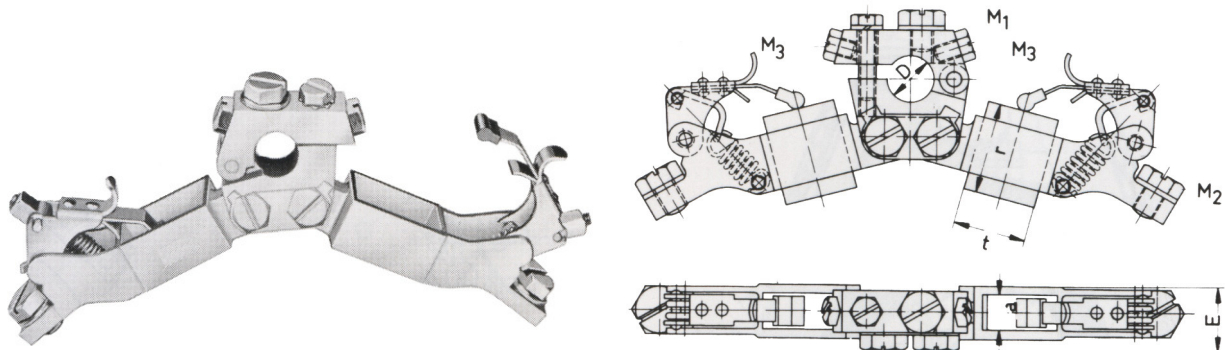
Brush dimensions in mm: (txaxr) \_\_\_\_\_ Dimension C in mm: \_\_\_\_ Bore D in mm: \_\_\_\_

Width E in mm: \_\_\_\_\_

All dimensions are given in mm

## Double clamping slipping brush-holders with tension spring

Heavy duty construction. Brush box brass die-cast, hinged clamping piece in extruded brass.  
For all peripheral speeds.



Order No.	Brush dimensions			Bore		Width E	Terminal		
	t	a	r	D	up to		M1	M2	M3
168GDDO-16	16	8	32	16	20	15	M6	-	M5
208 GDD-16	20	8	32	16	20	15	M6	M6	M5
2010 GDD-16	20	10	32	16	20	16	M6	M6	M5
2010 GDDV-16	20	10	32	16	20	16	M6	M6	M5
2510 GDD-16	25	10	32	16	20	16	M6	M6	M5
2510 GDDV-16	25	10	32	16	20	16	M6	M6	M5
2512 GDD-16	25	12,5	32	16	20	19	M8	M8	M6
2512 GDDOV-16	25	12,5	32	16	20	19	M8	-	M6
2512 GDDV-16	25	12,5	32	16	20	19	M8	M8	M6
2516 GDD-20	25	16	40	20	25	22	M10	M10	M8
3212 GDD-16	32	12,5	32	16	20	19	M8	M8	M6
3216 GDD-20	32	16	40	20	25	22	M10	M10	M8
3216 GDDV-20	32	16	40	20	25	22	M10	M10	M8
3220 GDD-20	32	20	40	20	25	25	M10	M10	M8
4020 GDD-20	40	20	50	20	25	25	M10	M10	M8
4020 GDDV-20	40	20	50	20	25	25	M10	M10	M8
4032 GDDV-20	40	32	50	20	25	38	M10	M10	M8
4032 GDDV-28	40	32	50	28	32	38	M10	M10	M8

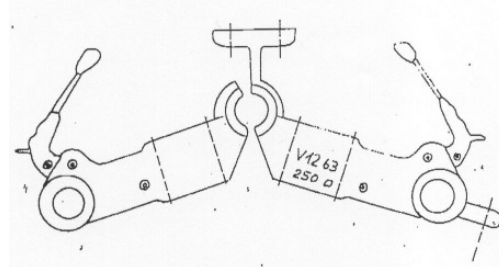
Brush-holder types with "V" suffix have an adjustable brush pressure.  
Brush-holder types with "O" suffix are without phase connections M2.

All dimensions are given in mm

## Siemens brush-holder types

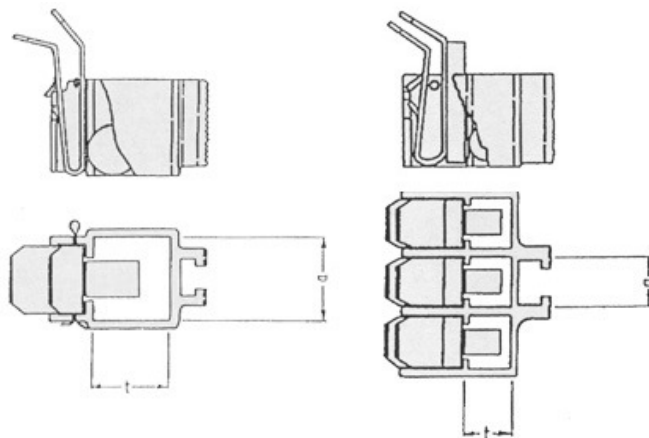
Double clamping brush-holders for sliprings

Type	t x a x r
V1207	50 x 25 x 50
V1274	25 x 12,5 x 32
V1285	32 x 16 x 40
V1296	40 x 20 x 50



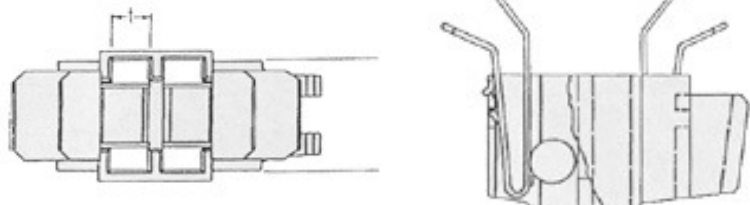
Single / Double / Triple brush-holders with self-recoiling spring

Type	t x a x r
Single:	
G1157	16 x 25 x 40
G1167	20 x 25 x 40
G1168	20 x 32 x 50
G1178	25 x 32 x 50
Double:	
G1256	16 x 20 x 32
G2234	10 x 12,5 x 32
Triple:	
G2334	10 x 12,5 x 32



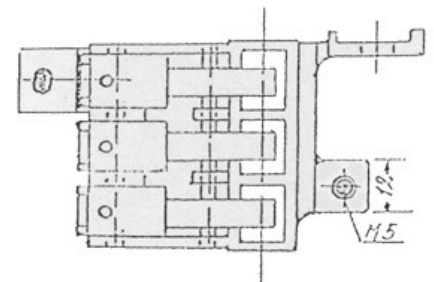
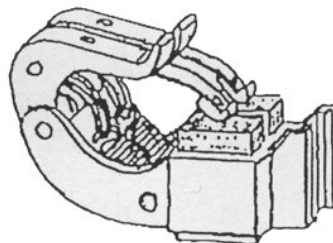
Double brush-holders (Tandem) with self-recoiling spring

Type	t x a x r
G5238	10 x 32 x 50
G5248	12,5 x 32 x 50
G5258	16 x 32 x 50



Single / Double / Triple brush-holders, also deliverable with flange mount (with tension spring)

Type	t x a x r
Single :	
KG110	10 x 12,5 x 32
Double:	
2-fach	
KG210	10 x 12,5 x 32
KG216	16 x 12,5 x 32
KG220	20 x 12,5 x 32
Triple:	
3-fach	
KG 310	10 x 12,5 x 32
KG 316	16 x 12,5 x 32
KG 320	20 x 12,5 x 32
KG 325	25 x 12,5 x 32



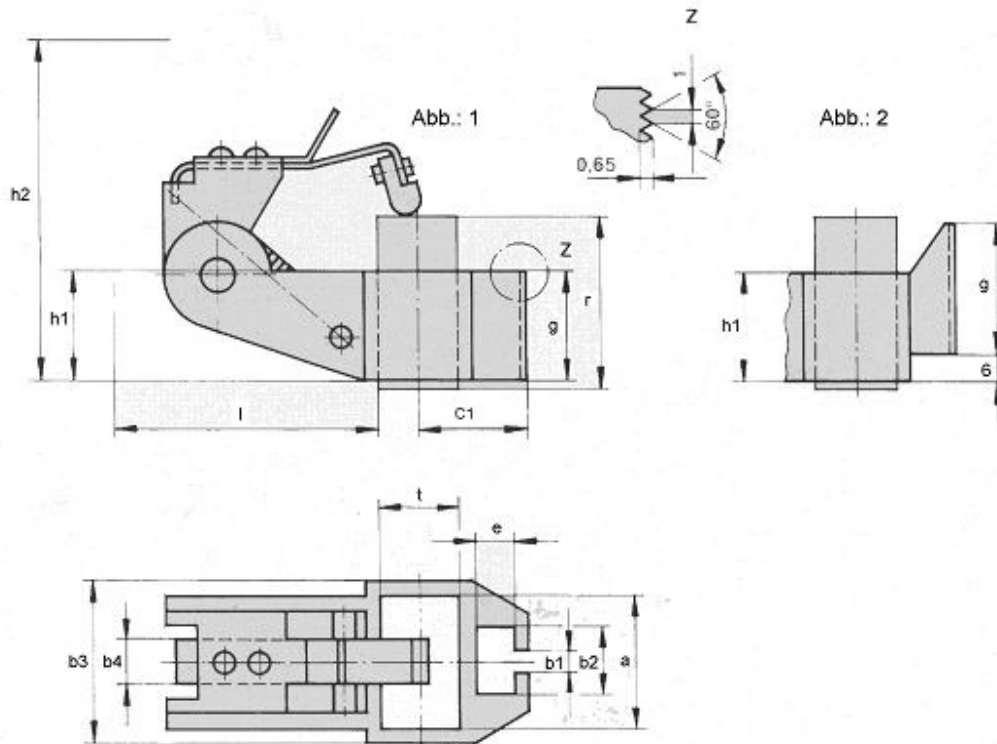
TYP: KGs

TYP: KG

Please indicate the spring pressure (200cN, 300cN ...) on all inquiries / orders.  
 All dimensions are given in mm

## Single brush-holder with tension spring

Heavy duty construction. Made of brass die-cast. For all peripheral speeds.



Order No.	Brush dimensions t x a x r (mm)	g	C1	b1	b2	b3	b4	e	h1	h2	l
B510R	5x10x20	15	12,5	5,5	9,5	14,5	6	4,5	15	36,5	31
B610R	6,3x10x20	15	13,2	5,5	9,5	14,5	6	4,5	15	37	31
B810R	8x10x20	15	14	5,5	9,5	14,5	6	4,5	15	38,5	31
B612R	6,3x12,5x25	20	13,2	5,5	9,5	17	6	4,5	20	47,5	42
B812R	8x12,5x25	20	14	5,5	9,5	17	6	4,5	20	47	42
• B1012R	10x12,5x25	20	15	5,5	9,5	17	6	4,5	20	47	43
B816R	8x16x32	22	14	6,5	10,5	20,5	8	5	22	56	38
B1016R	10x16x32	22	15	6,5	10,5	20,5	8	5	22	56	38
B1216R	12,5x16x32	22	16,3	6,5	10,5	20,5	8	5	22	55	38
B620R	6,3x20x32	25	13,2	6,5	10,5	24,5	8	5	22	56	44
B820R	8x20x32	25	14	6,5	10,5	24,5	8	5	22	56	44
• B1020R	10x20x32	25	15	6,5	10,5	24,5	8	5	22	57	44
• B1220R	12,5x20x32	25	16,3	6,5	10,5	24,5	8	5	22	60	44
B1620R	16x20x32	25	18	6,5	10,5	24,5	8	5	22	60	44
B825R	8x25x32	29	14	6,5	10,5	29,5	10	5	25	63	52
• B1025R	10x25x40	29	15	6,5	10,5	29,5	10	5	25	63	52
• B1225R	12,5x25x40	34	16,3	6,5	10,2	29,5	10	5	24	69	55
• B1625R	16x25x40	29	18	6,5	10,5	29,5	10	5	25	69	53
• B2025R	20x25x40	29	20	6,5	10,5	29,5	10	5	25	70	49
• B1232R	12,5x32x40	29	16,3	6,5	10,5	37,5	12	5	25	60	45
• B1632R	16x32x40	29	18	6,5	10,5	37,5	12	5	25	61	45
• B2032R	20x32x40	29	20	6,5	10,5	37,5	12	5	25	64	45
• B2532R	25x32x45	30	22,5	6,5	10,5	37	10	5,2	30	80	70

• from stock

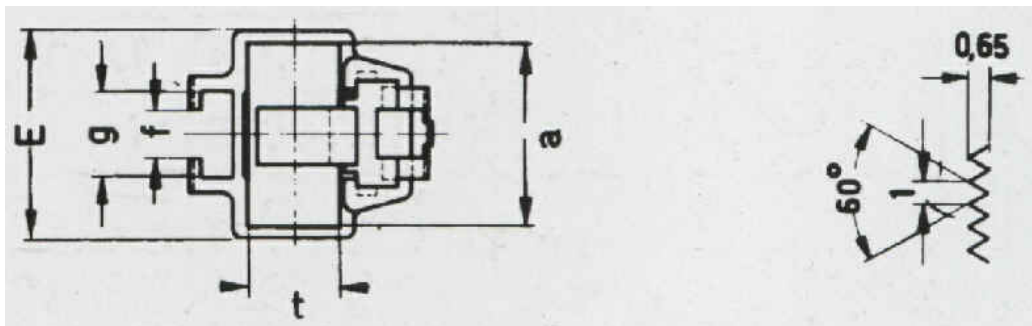
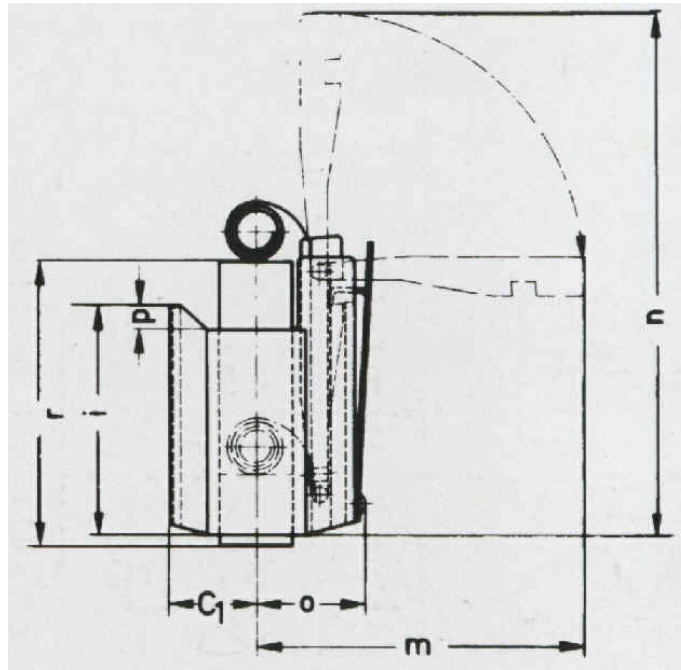
Abb.: 1 – up to B1620R + B1225R

Abb.: 2 - from B825R

All dimensions are given in mm

## Single brush-holder with self-recoiling spring

Brush boxes are brass die-cast. For all peripheral speeds.



Order No.	Brush dimension t x a x r	C1	E	f	g	i	m	n	o	p
RTR 820	8x20x40	14	24	M6	10,5	32	44	71	17	4
RTR 1020	10x20x40	15	24	M6	10,5	32	45	71	18	4
RTR 1220	12,5x20x40	16,3	24	M6	10,5	32	46	71	19	4
RTR 1225	12,5x25x50	16,3	30	M6	10,5	40	57	90	21	5
RTR 1625	16x25x50	18	30	M6	10,5	40	59	90	23	5
RTR 1032	10x32x64	15,5	37	M8	14,5	50	66	110	20	5
RTR 1232	12,5x32x64	16,8	37	M8	14,5	50	67	112	21	5
RTR 1632	16x32x64	18,5	37	M8	14,5	50	69	114	23	5
RTR 2032	20x32x64	20,5	37	M8	14,5	50	71	116	25	5
RTR 2532	25x32x64	23	37	M8	14,5	50	73	116	28	5
RTR 2540	25x40x64	24,5	45	M8	14,5	50	73	116	29	5

All dimensions are given in mm