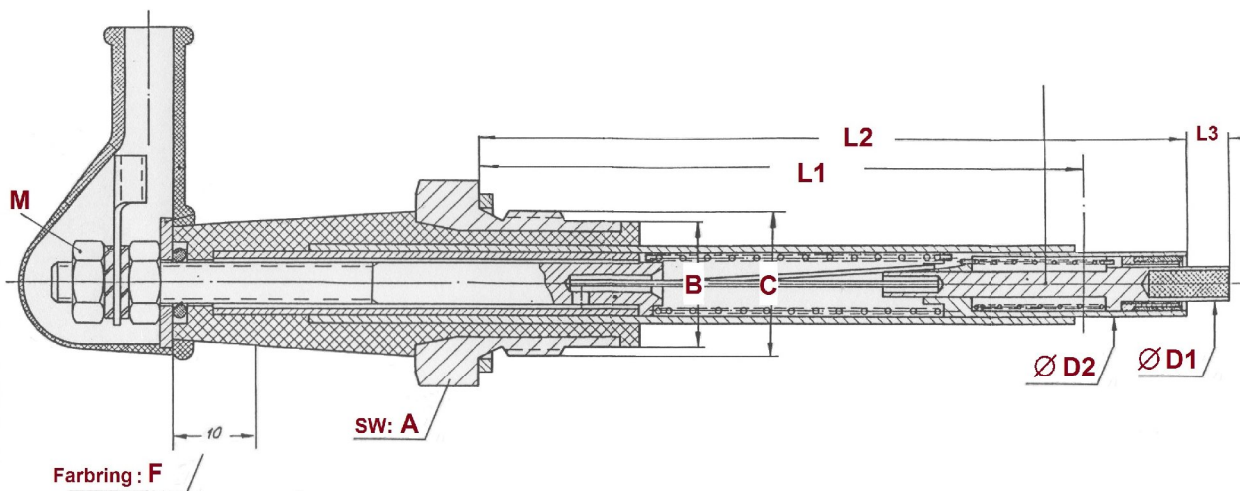


Telescopic holders and brushes for electromagnetic clutches

According to ZF - Types: TSL6, TSL6/16, TSN6, TSL8, TSN8, TSK6



Order No.	ZF-Type	F (ring colour)	A	L1	L2	L3	B	C	M	D1	D2	Brush insert Order No.
MC2231	TSL8-100	red	22	100	113	5,5	16	M18x1,5	5	4,2	8	M114/1
MC2232	TSL8-75	red	22	75	88	5,5	16	M18x1,5	5	4,2	8	MC2232/1
MC2233	TSL8-50	red	22	50	63	5,5	16	M18x1,5	5	4,2	8	MC2233/1
MC2234	TSL8-35	red	22	35	48	5,5	16	M18x1,5	5	4,2	8	MC2234/1
MC2226	TSL8-60	red	22	60	73	5,5	16	M18x1,5	5	4,2	8	-
MC2255	TSL6-100	yellow	22	100	109	6	16	M18x1,5	5	4	6	MC2255/1
MC2255/16	TSL6/16-100	yellow	22	100	109	6	16	M16x1,5	5	4	6	MC2255/1
MC2256	TSL6-75	yellow	22	75	84	6	16	M18x1,5	5	4	6	MC2256/1
MC2257	TSL6-50	yellow	22	50	59	6	16	M18x1,5	5	4	6	MC1770
MC2257/16	TSL6/16-50	yellow	22	50	59	6	16	M16x1,5	5	4	6	MC1770
MC2258	TSL6-35	yellow	22	35	44	6	16	M18x1,5	5	4	6	MC2258/1
MC2258/16	TSL6/16-35	yellow	22	35	44	6	16	M16x1,5	5	4	6	MC2258/1
MC2235	TSN8	red	22	22	34	5,5	16	M18x1,5	5	4,2	8	MC2235/1
MC2254	TSN6	yellow	22	22	30	6	16	M18x1,5	5	4	6	M119/1
MC2439	TSK6	yellow	17	14	23	6	12	M14x1,5	5	4	6	M128/1